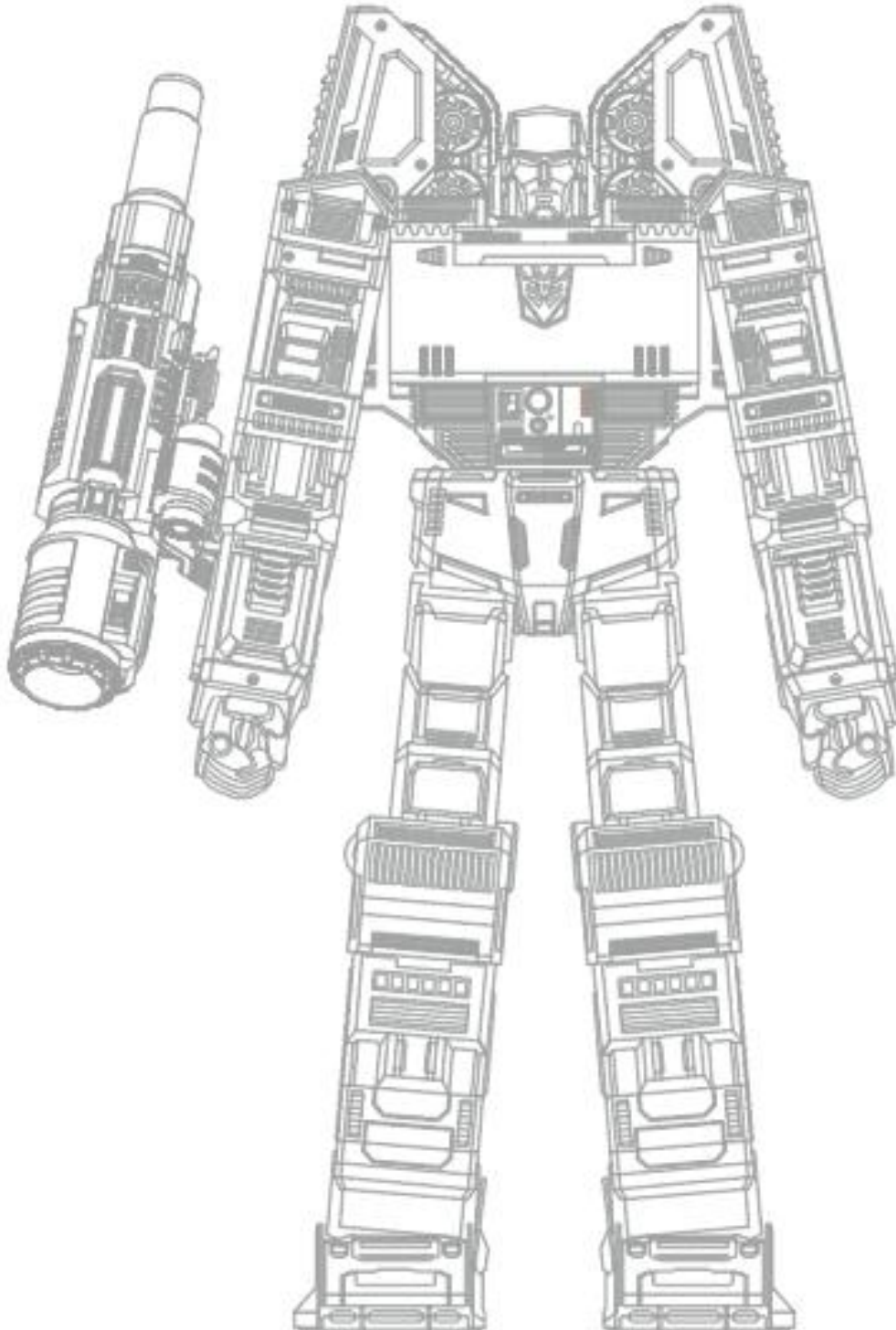


Megatron

威震天

User Manual

用户手册



EN

1

CHS

15

EN

CONTENTS

DISCLAIMER	2
1. Important Safety Instructions	3
1.1 Notice	
1.2 Warning	
1.3 Environment	
1.4 Usage	
1.5 Care & Maintenance	
1.6 Battery	
1.7 Disposal	
2. What's In the Box	5
3. Getting Started	5
3.1 Operating the Robot	
3.1.1 Power On/Off	
3.1.2 Wake Up & Convert & Voice Commands	
3.1.3 Voice Programming	
3.1.4 Easy Programming	
3.1.5 Modes Introduction	
3.2 Using the App	
3.3 Charging	
4. Accessories Instructions	11
5. FAQs	13
6. Specifications	14

DISCLAIMER

Please read this user manual carefully before using the product to ensure that you fully understand this product and can properly use it. After reading the user manual, keep it in a safe place for future reference. By using this product, it is deemed that you have understood, acknowledged, and accepted all terms and conditions related to it. Robosen hereby disclaims any liability for any injuries or loss that may arise due to the misuse of the product or failure to comply with the instructions provided herein.

Due to continuous upgrades and improvements, the product you purchased may differ slightly from that described in this manual. All explanations and specifications provided herein are for reference only. Any changes or updates to the design, manuals, and all related documents for this product, if necessary, shall be made without prior notice. For the latest information on the product, please refer to the official website of Robosen.

1. Important Safety Instructions

READ ALL INSTRUCTIONS CAREFULLY BEFORE USE.

1.1 Notice

This product is intended for household use only and persons over the age of 15.

1.2 Warning

The product contains small parts that may present a choking hazard. Please exercise caution when using it around children.

1.3 Environment

1. Use and store the robot in temperatures between 32~95°F (0~35°C). Low or high temperatures may affect the performance and use of the robot.
2. Use the voice control in a quiet environment.
3. DO NOT use the robot in prohibited, dangerous, or public areas (e.g. under high-voltage power lines, in train stations, on trains, in airports, on airplanes, etc.).
4. DO NOT use the robot near flammable materials or on flammable surfaces (carpets, wooden floors, wooden furniture, etc.) or conductive surfaces.

1.4 Usage

1. Before using the robot, carefully inspect all of its parts for any signs of damage. DO NOT use the robot if any part is damaged. Contact customer service for examination and repair.
2. Use the robot on a smooth, level surface, ensuring sufficient clearance and space to prevent the robot from falling or being damaged.
3. Close supervision is necessary when the robot is being used by children to prevent it from falling and causing damage or injury to persons.
4. This robot is equipped with a projectile launching function. DO NOT shoot at people, animals, or fragile objects. DO NOT aim at eyes or face. Please use with caution. If it is blocked or stuck, stop using immediately and inspect carefully.
5. It is normal for the robot to heat up slightly during use.
6. DO NOT forcibly twist or lift the head of the robot. Handle it with care.
7. DO NOT twist the robot's joints when it is powered on, except in the manual programming mode via the app.
8. DO NOT touch the robot while it is in motion. Beware of pinching!
9. DO NOT immerse the robot in water.
10. Charge the robot only with the provided power adapter and charging cable. DO NOT use them to charge other devices.
11. DO NOT use any unofficial components or accessories. If replacements are necessary, contact customer service.
12. DO NOT allow persons with reduced physical, sensory, or cognitive abilities or

lack of experience and knowledge to use the robot unless they are supervised.

1.5 Care & Maintenance

1. Turn off the robot, disconnect the power adapter, and allow it to completely cool down before cleaning, storing, or transporting.
2. If necessary, wipe exterior surfaces with a soft, slightly damp cloth. DO NOT use alcohol, abrasives, solvents, chemical cleaners, or harsh detergents.
3. Store the robot in a cool and dry place. DO NOT place it in a pressurized container.
4. DO NOT throw, hit, puncture, cut, kick, or step on the robot or power adapter.
5. DO NOT place any items on the robot or power adapter.
6. DO NOT expose the robot to direct sunlight or high temperatures. Keep away from open flames, humidity, heat, and/or corrosive gas.
7. DO NOT attempt to disassemble or repair the robot or power adapter or charging cable by yourself. Doing so may cause damage and void the warranty.

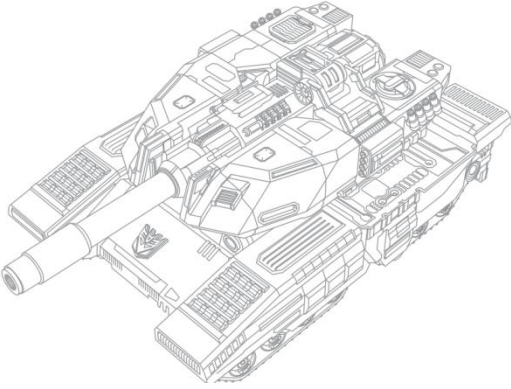
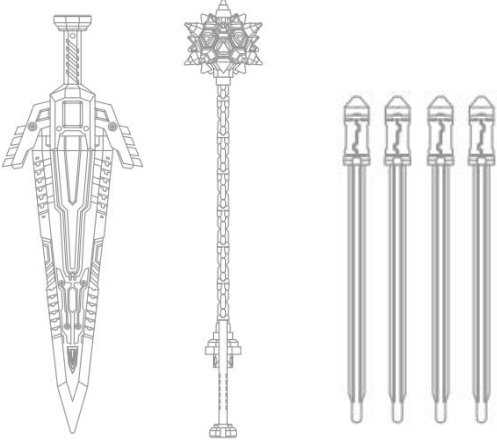
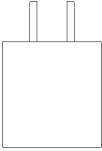

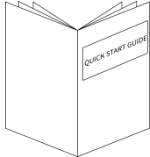

1.6 Battery:

The product's accessory contains a button battery. Keep it out of the reach of children and pets. If the battery is swallowed or placed inside any part of the body, it can lead to serious or fatal injuries within 2 hours. Seek medical attention immediately.

1.7 Disposal:

This product should not be disposed of with other household waste. Instead, it should be delivered to a designated collection point for recycling. Proper disposal and recycling helps protect natural resources, human health, and the environment. For more information on disposal and recycling of this product, contact your local municipality, disposal service, or the shop where the product was purchased.

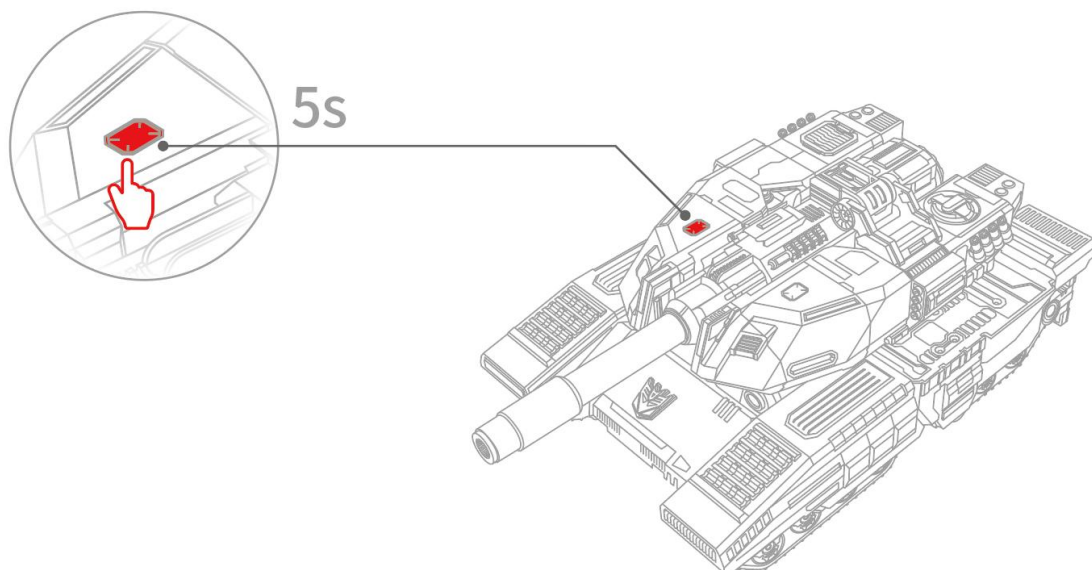
2. What's In the Box

 <p>Megatron</p>	 <p>Energon Sword Energon Mace Projectile(4pcs)</p>		
 <p>Power Adapter</p>	 <p>Charging Cable</p>	 <p>Quick Start Guide</p>	 <p>Safety Manual</p>

3. Getting Started

3.1 Operating the Robot

3.1.1 Power On/Off



To power on, long press the power button for 5 seconds until the light beads turn on

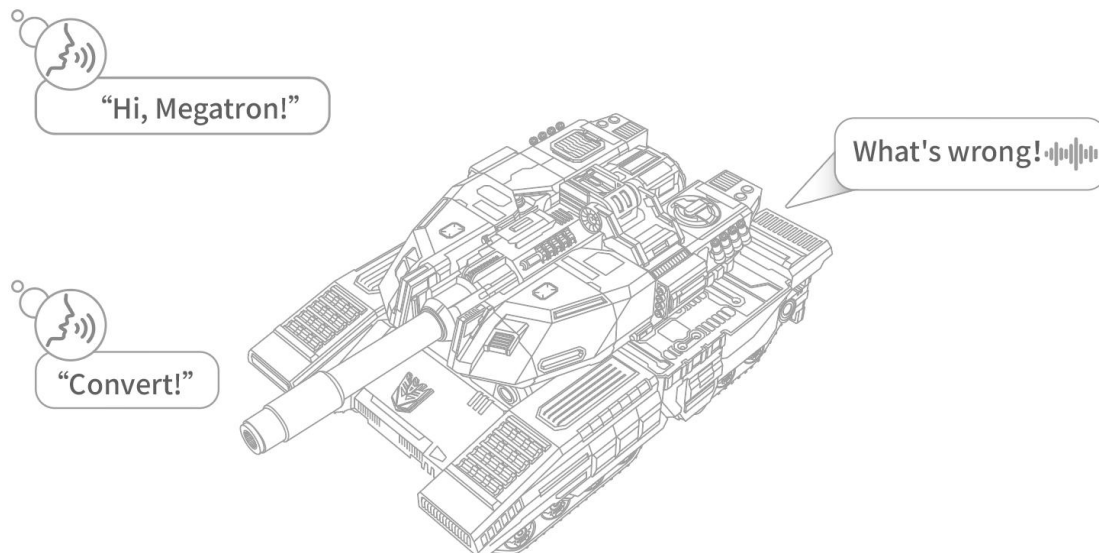
and the robot says “I am Megatron, leader of the deceptions”.

	Operation	Function	Voice Broadcast
Power Button	Long press	Power on	“I am Megatron, leader of the deceptions”
		Power off	“Peace through tyranny”
	Double press (after power on)	Return to initial stance	/

To power off, long press the power button for 5 seconds until the robot says “Peace through tyranny” and the light beads turn off.

3.1.2 Wake Up & Convert & Voice Commands

After power on, say “Hi, Megatron” to wake up the robot. The robot replies “What’s wrong” to indicate that it has been successfully awakened. Then say “Convert”, and it will convert between tank and robot form.



After waking up the robot, say any of the following voice commands and the robot will respond and perform corresponding action.

Voice Commands				
Wake-up Words: Hi, Megatron / Hey, Megatron / All hail Megatron / All hail Decepticons				
Action	Convert	Hello	Introduce yourself	What can you do
	Open fire	Attack	Defense	Retreat
	Victory	Optimus Prime	Autobots	Decepticons

	Unicron	Galvatron	Great-villain	Conspiracy
	Conquer	Fusion Canon	Energon Sword	Fate
	Earth	Energon	Cybertron	Starscream
	Soundwave	Laserbeak	Happy birthday	Happy holiday
Movement	Move forward	Move backward	Move left	Move right
	Turn left	Turn right	Turn around	
Programming	Start voice programming	Execute		
	Start easy programming	Play	Show	Cancel
System Setting	Turn it up	Max volume	Turn it down	Mute
	Shutdown			
<p>*This list can also be viewed in the app (go to Quick Start Guide → Voice Commands).</p> <p>*Before giving the next voice command, say “Hi, Megatron” again to wake up the robot.</p>				

Note:

Without any voice command, the robot will return to the default breathing status after 20 seconds. You will need to say “Hi, Megatron” again to wake it up before giving the next voice command.

3.1.3 Voice Programming

After waking up the robot, say “Start voice programming” and the robot will reply “My turn now” to indicate that it has entered the voice programming mode.

Then say multiple voice commands in the order you want, and the robot will respond by saying “Yes” each time to indicate it has successfully acknowledged the command.

To complete, say “Execute”, and the robot will perform the actions you have programmed.

Note:

1. Say “Cancel” if you want to exit the voice programming mode.

2. If there is no voice command given during programming, the robot will automatically exit the voice programming mode after 30 seconds.

3.1.4 Easy Programming

After waking up the robot, say “Start easy programming”. The robot will reply “Here! Have a ton of fun” and all of joints will relax, indicating that it has entered the easy programming mode.

At this point, you can manipulate the joints to create the desired pose, and press the power button to confirm the pose with a prompt sound, indicating that it has been saved. You can then repeat this process by adjusting the joints again and pressing the power button to save the next pose.

After saving the final pose, wake up the robot again and say “Play.”. The robot will perform the actions you have programmed.

Note:

1. Say “Cancel” if you want to exit the easy programming mode.
2. After waking up the robot, say “Show” to play a set of easy programming actions you have created, and say “Next” to play the next set.
3. All easy programming actions are saved in the app, where you can play or delete them.

3.1.5 Modes Introduction

1. Idle Mode

Without any operation (including wakeup, button, or app control) after power on, the robot will enter the idle mode after 3 minutes.

In this mode, the robot will perform 3 idle actions at 3 minute intervals.

To exit this mode, say “Hi, Megatron” to wake up the robot.

2. Silent Mode

After waking up the robot, say “Mute”. The robot will enter the silent mode.

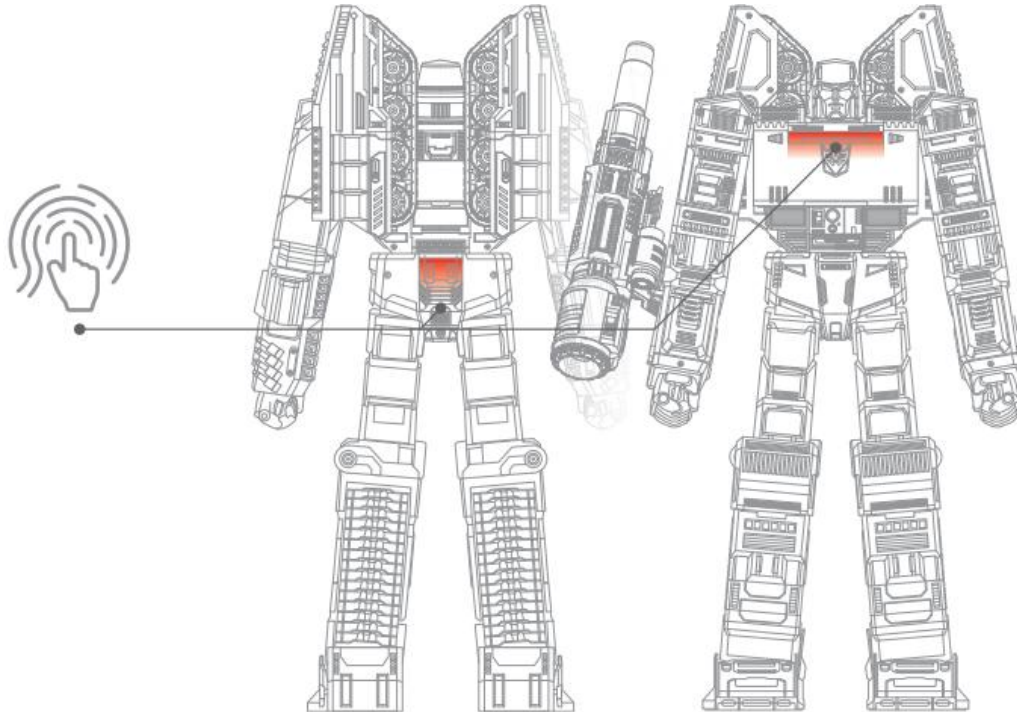
In this mode, the speaker will be turned off. The robot can be awakened by voice and perform voice commands silently.

To exit this mode, say “Turn it up”, “Max Volume” or operate via the app (go to Settings → Robot → Volume) to turn on the speaker.

3. Touch Reaction Mode

After power on, touch the red parts of the robot as shown. The robot will react with voice and action.

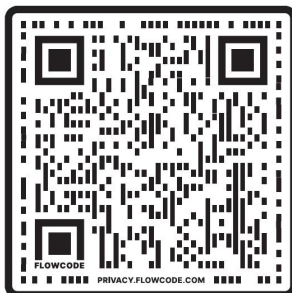
Note: This mode is enabled by default and can be disabled in the App.



3.2 Using the App

3.2.1 Download

Scan the QR code below or search for “Robosen Megatron G1” from App Store or Google Play to download the app.



* iOS 13 and Android 10 or above are recommended.

* Voice and App functions cannot be used simultaneously.

3.2.2 Connect

1. Power on the robot.
2. Enable the Bluetooth setting on your mobile device.
3. Turn on the app and connect the robot following the in-app instructions.

To disconnect:

Operate via the app (Go to Settings → Robot). The robot will say “Tell me what you know”.

3.2.3 Explore

Once connected, tap “ACTIONS”, “CREATE”, and “MINI THEATER” in the app to explore more functions of the robot following the in-app instructions.

3.2.4 Feedback

If you have any problems when using the robot or its app, go to Settings in the app to submit your feedback.

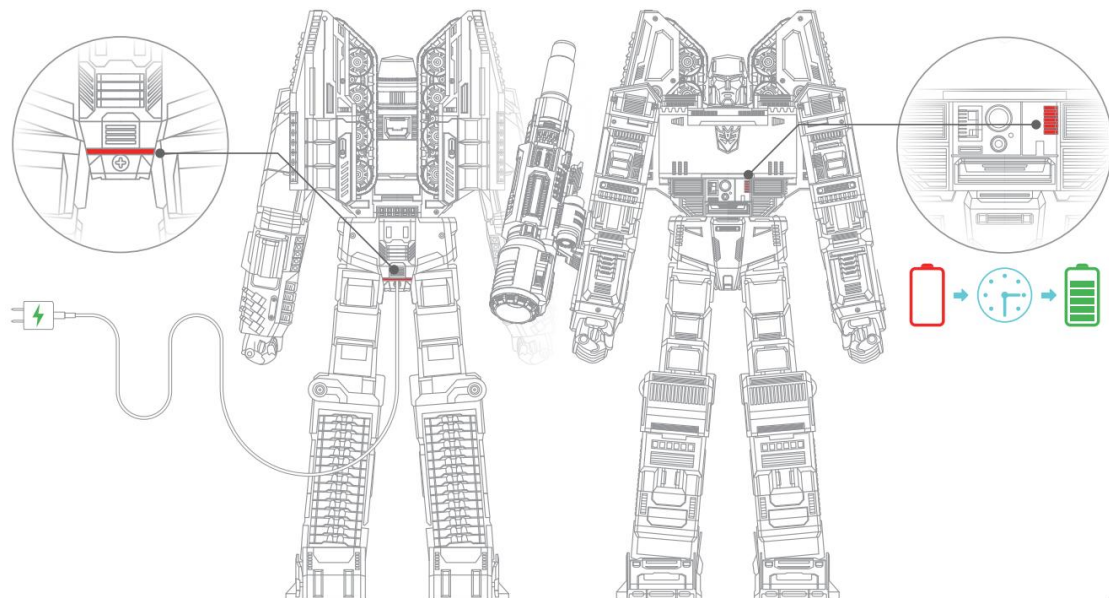
3.3 Charging

3.3.1 Low Battery Reminder

The robot will say “We’re...we’re losing our power” to indicate that it is in low battery. Then it will say “My Energon cubes are gone” and shut off automatically. Please charge in time.

3.3.2 How to Charge

Charge the robot with the provided power adapter and charging cable.

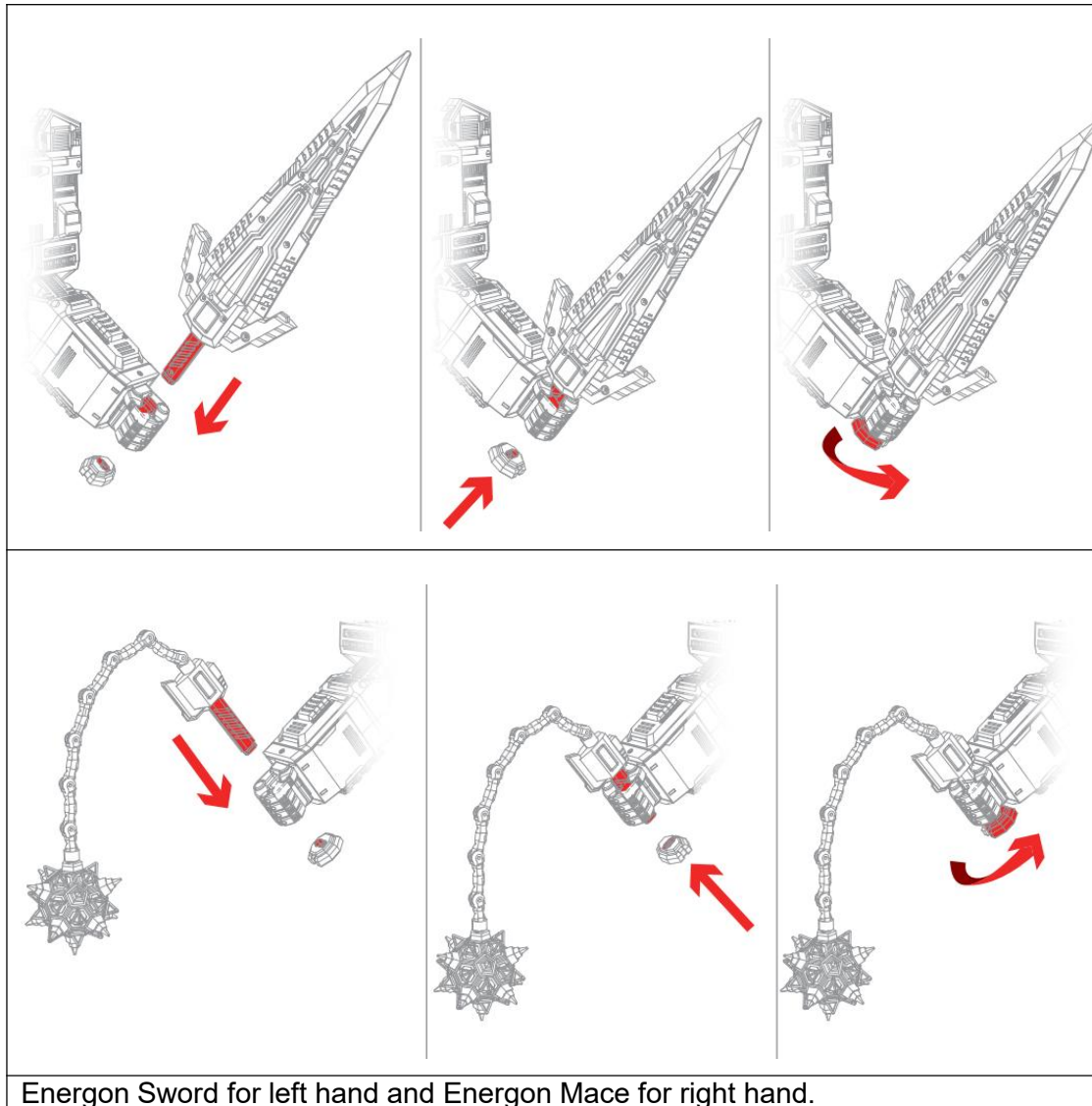


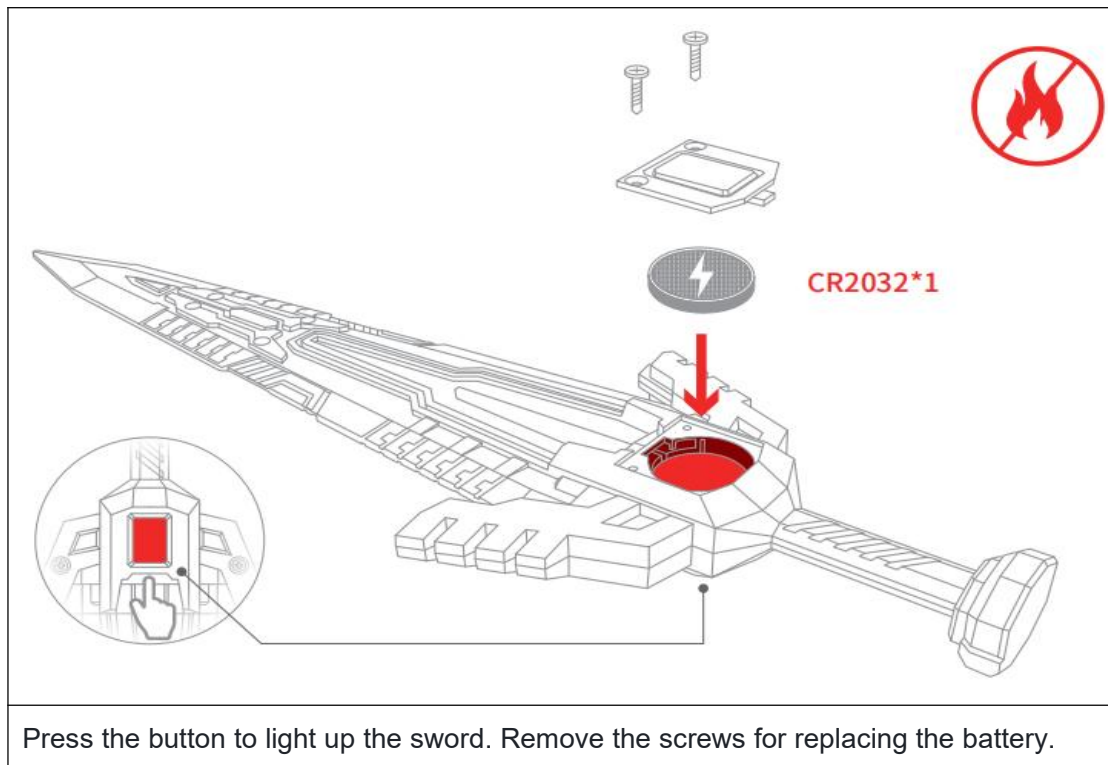
Note:

1. DO NOT turn on the robot while charging.
2. DO NOT charge the robot for more than 3 hours.
3. When charging is complete, disconnect the charging cable from the robot and unplug the power adapter.

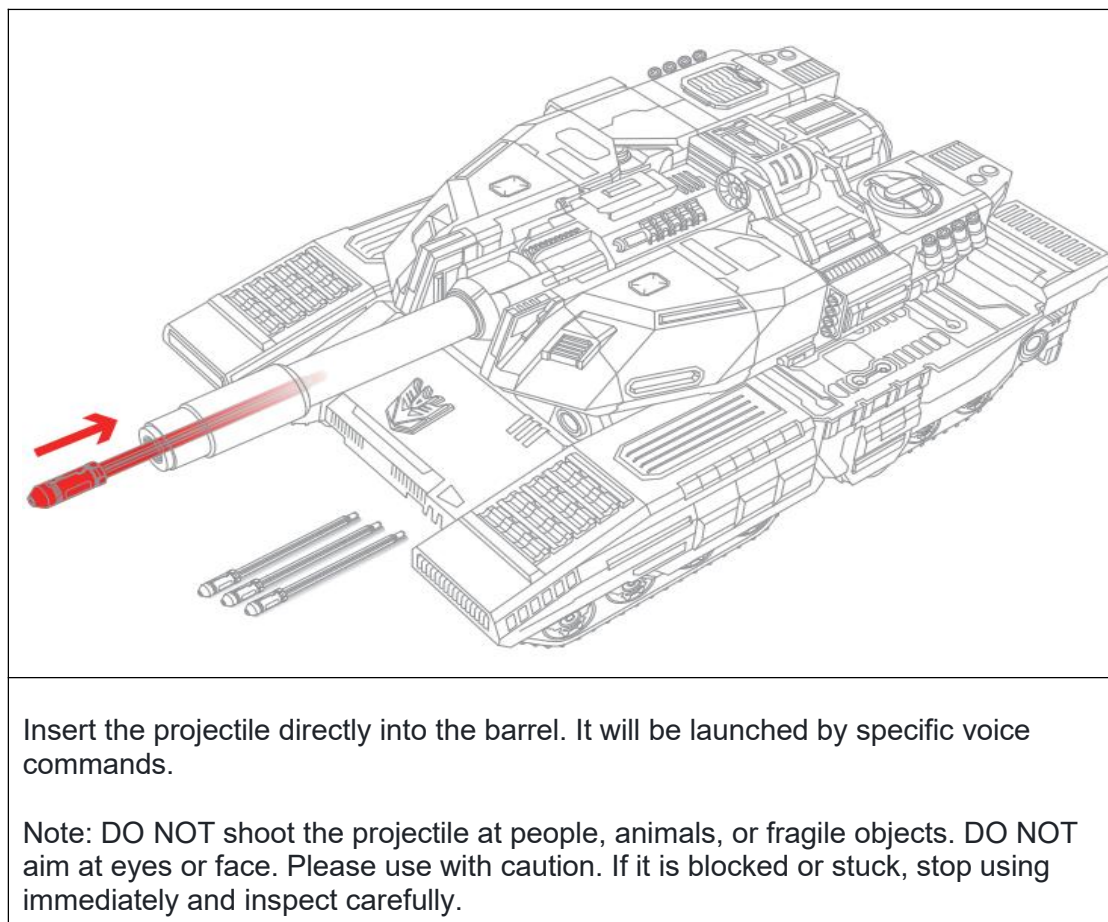
4. Accessories Instructions

4.1 Energon Sword & Energon Mace





4.2 Projectile



5. FAQs

Q: The robot does not work?

1. Reboot the robot.
2. Check if the robot is in low battery. If so, charge the robot.

Q: Unable to connect the app with the robot?

1. Make sure the robot is powered on.
2. Make sure the Bluetooth setting is enabled on your mobile device and the robot is placed close to it.
3. Make sure the robot is not connected to any other mobile device.
4. Make sure you have the latest version of the app.

Q: Unable to wake up the robot by voice?

1. Make sure the robot is powered on.
2. Make sure the robot is disconnected from the app. The voice and app control cannot be used simultaneously.
3. Use the robot in a quiet environment and wake it up with the correct voice command words.

Q: The robot does not have any voice?

Check if the robot is in silent mode. If so, wake up the robot and say “Turn it Up” or “Max Volume” or operate via the app to exit this mode.

Q: Unable to charge the robot?

1. Use the original power adapter and charging cable and make sure they are properly connected and well-functioning.
2. Make sure the robot is powered off when charging.

Q: The robot can't stay stable when performing certain actions?

Place the robot on a smooth, level surface before using it.

Q: The robot is saying any joint is stuck or cable is disconnected?

Reboot the robot.

Note: If you still cannot solve the problem after following the above solutions, or if you encounter any other problems, please contact customer service.

6. Specifications

Product Name	Robosen Megatron G1 Flagship Robot	
Model	WZTG1	
Robot	Size (L x W x H)	439 x 230 x 153 mm / 17.3 x 9.1 x 6.0 inch (Tank Form) 168 x 354 x 524 mm / 6.6 x 13.9 x 20.6 inch (Robot Form)
	Net Weight	3.8 kg / 8.4 lb
	Material	ABS, PC, PA66+30% GF, aluminum alloy, etc
	Servo Motor	36pcs
	Microchip	118pcs
	Control Method	Voice & App Control
	Battery	11.1V, 2700mAh Li-ion Battery
	Operating & Storage Temperature	0~35°C
	Charging Interface	Type-C
	Charging Time	Approx. 1.5 hours
	Working Time	Approx. 1.5 hours (depends on mode operated)
Power Adapter	Input	100-240V ~ 50/60Hz 0.8A
	Output	5V \Rightarrow 3A / 9V \Rightarrow 3A / 12V \Rightarrow 2.5A / 15V \Rightarrow 2A / 20V \Rightarrow 1.5A
	Power	Max. 30W
Wireless Connection	Bluetooth	Supported, BLE 5.0, 2400~2483.5MHz, 20dBm

CHS

目录

免责声明	16
1. 重要安全须知	17
1.1 注意	
1.2 警告	
1.3 使用环境须知	
1.4 使用安全须知	
1.5 维修保养	
1.6 电池安全须知	
1.7 回收处理	
2. 包装清单	19
3. 开始使用	19
3.1 操作机器人	
3.1.1 开/关机	
3.1.2 唤醒 & 变形 & 语音控制	
3.1.3 语音编程	
3.1.4 简易编程	
3.1.5 模式介绍	
3.2 App 使用	
3.3 充电	
4. 配件使用	25
5. 疑难解答	27
6. 规格参数	28

免责声明

在使用前，请仔细阅读本用户手册，以确保您完全了解本产品并能正确使用。阅读后请将其妥善保管以便日后参考。使用本产品即视为您已理解、承认并接受与之相关的所有条款和条件。乐森在此声明，对于因误用本产品或未遵守本用户手册提供的说明而可能产生的任何伤害或损失不承担任何责任。

由于我们不断地升级和改进我们的产品，您所购买的产品可能与本手册中描述的略有不同。本手册内含所有解释和规格仅供参考。如有必要，对该产品的设计、手册和所有相关文件进行任何修改或更新，恕不另行通知。有关产品的最新信息，请参考乐森官方网站。

1. 重要安全须知

使用前务必仔细阅读所有说明。

1.1 注意

本产品仅供家庭和年满 15 岁以上人群使用。

1.2 警告

本产品内含小零件，可能造成窒息危险。在儿童周围使用时请谨慎注意。

1.3 使用环境须知

1. 请在 0~35°C 的温度下使用和存放机器人。低温或高温可能会影响机器人的性能和使用。
2. 请在安静的环境中使用语音控制功能。
3. 请勿在禁止、危险或公共区域（例如高压电线下、火车站、火车、机场、飞机上等）使用机器人。
4. 请勿在易燃材料附近或易燃表面（地毯、木地板、木制家具等）或导电表面上使用机器人。

1.4 使用安全须知

1. 在使用机器人之前，请仔细检查其所有部件是否有损坏的迹象。如果有任何部件损坏，请不要使用机器人。联系售后进行检查和维修。
2. 请在光滑、平整的表面上使用机器人，确保有足够的间隙和空间，防止机器人摔倒、跌落或损坏。
3. 儿童在使用机器人时，应保证在场有人员看管，以防止机器人跌落，造成机器损坏或人身伤害。
4. 此机器人具有发射炮弹的功能，请勿将炮弹射向人体、动物或易碎物品，请勿瞄准眼睛或脸部发射。使用时需注意安全，如发现炮弹堵塞或卡住，应立即停止使用并检查。
5. 在使用过程中，机器人稍微发热是正常现象。
6. 请勿用力掰动或提拿机器人的头部，小心轻放。
7. 当机器人通电时，除 App 内置手掰编程模式下，请勿掰动机器人关节。
8. 当机器人运动时，请勿触碰。小心夹伤！
9. 请勿将机器人浸入水中。
10. 仅用官方提供的电源适配器和充电线为机器人充电。请勿用于其他设备充电。
11. 请勿使用任何非官方提供的部件。如需更换，请联系售后服务。

12. 除非受到监督，请勿让具有身体、感知或认知能力受限，或缺乏经验和知识的人使用机器人。

1.5 维修保养

1. 在清洁、存放或运输之前，先关闭机器人，断开电源适配器，并让其完全冷却。
2. 如需清洁，用柔软略湿的布擦拭表面。请勿使用酒精、磨砂剂、溶剂、化学清洁剂或其他刺激性洗涤剂。
3. 将机器人存放在干燥通风处，避免放置在加压容器内。
4. 请勿扔掷、敲打、刺穿、踢或踩踏机器人或电源适配器。
5. 请勿在机器人或电源适配器上放置任何物品。
6. 请勿将机器人暴露在阳光直射或高温环境中。避免靠近明火、潮湿、热源或腐蚀性气体。
7. 请勿自行拆卸或修理机器人、电源适配器或充电线。这样做可能会损坏产品并导致保修条款失效。

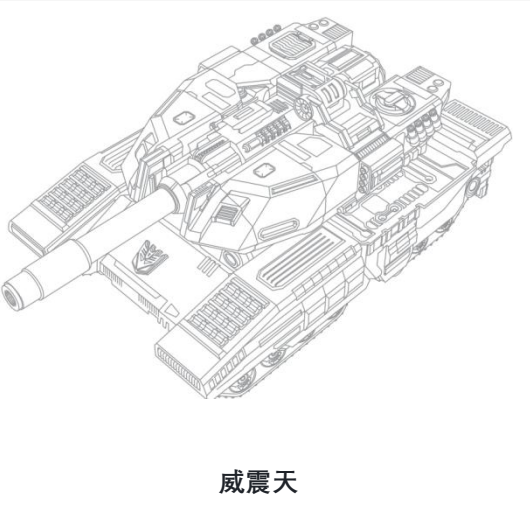
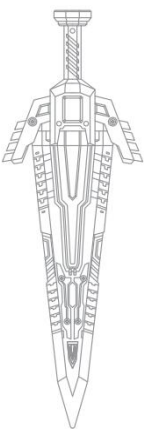
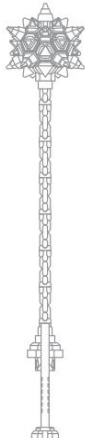
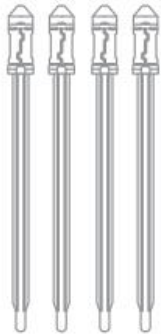
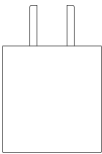
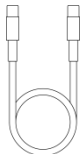
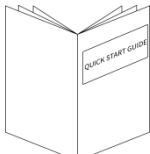

1.6 电池安全须知

本产品的配件含有纽扣电池，如果误食可能会导致严重的伤害或死亡。避免儿童及宠物接触。如果被误食，请立即就医。

1.7 回收处理

本产品不得与其他生活垃圾一起处置，而应送到指定的回收点进行回收。正确的处理和回收有助于保护自然资源、人类健康和环境。如需了解更多关于本产品的处理和回收信息，请与您当地的市政府、废物处理服务机构或您购买此产品的商店联系。

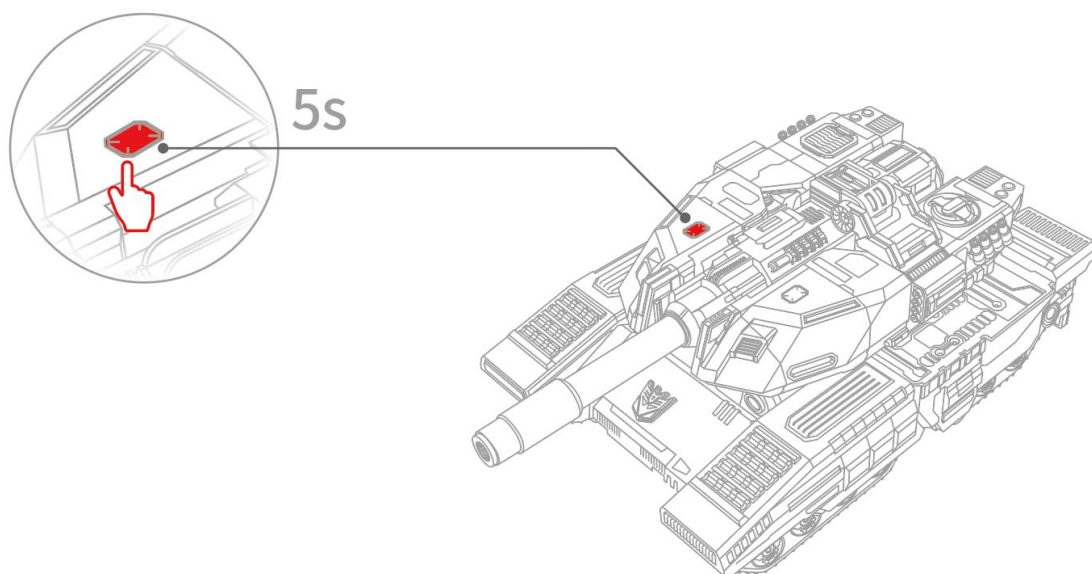
2. 包装清单

 <p>威震天</p>	 <p>星辰剑</p>	 <p>流星锤</p>	 <p>炮弹 (4支)</p>
 <p>电源适配器</p>	 <p>充电线</p>	 <p>快速使用说明</p>	 <p>安全手册</p>

3. 开始使用

3.1 操作机器人

3.1.1 开/关机



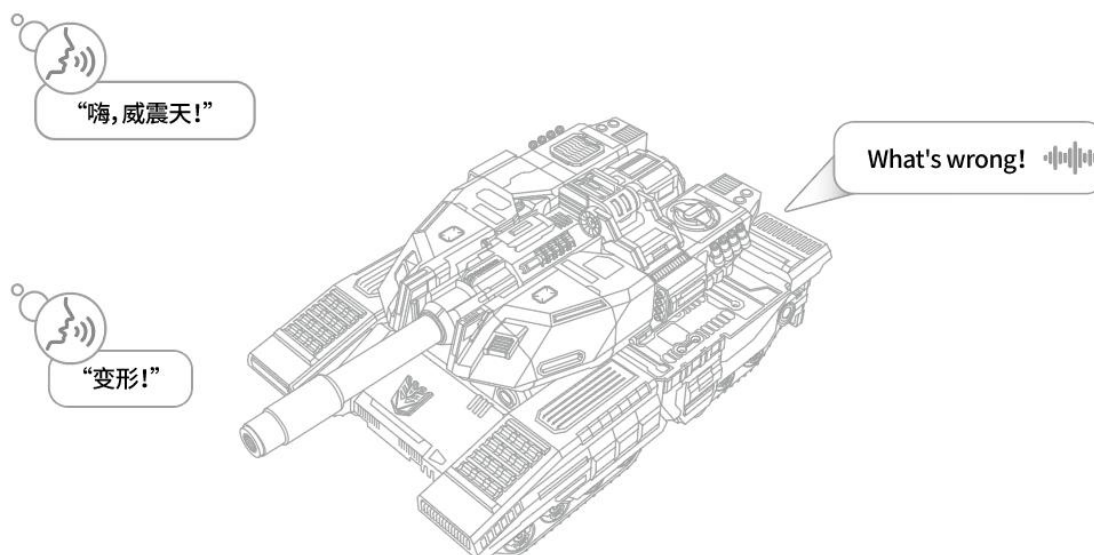
长按电源键 5 秒，直到机器人灯珠亮起，并听到机器人发出 “I am Megatron, leader of the deceptions” 语音提示，即可完成开机。

	操作	功能	语音提示
电源键	长按	开机	“I am Megatron, leader of the deceptions”
		关机	“Peace through tyranny”
	双按 (开机后)	恢复初始站姿	/

长按电源键 5 秒，听到机器人发出 “Peace through tyranny” 语音提示，灯珠关闭，即可完成关机。

3.1.2 唤醒 & 变形 & 语音控制

开机后，说 “嗨，威震天” 来唤醒机器人。机器人会回复 “What's wrong”，表示它已被成功唤醒。接着说 “变形”，机器人会在坦克形和人形之间切换。



唤醒机器人后，说出以下任意语音指令词，机器人就会做出回应并执行相应的动作。

语音指令词				
唤醒词: 嗨, 威震天 / 嘿, 威震天 / 威震天万岁 / 霸天虎万岁				
动作	变形	你好	自我介绍	你会什么
	开火	攻击	防御	撤退
	胜利	擎天柱	汽车人	集结, 霸天虎
	宇宙大帝	惊破天	梟雄	阴谋

	征服	融合炮	星辰剑	宿命
	地球	能量块	塞伯坦	红蜘蛛
	声波	激光鸟	生日快乐	节日快乐
移动	前进	后退	左移	右移
	左转	右转	转身	
编程	开始语音编程	执行		
	开始简易编程	播放	表演一下	取消
系统设置	增大音量	声音最大	减小音量	静音
	关机			
*此表也可在 App 中查看（前往 快速指引 → 语音指令词）。				
*在说出下一个语音命令前，需再次唤醒机器人。				

注意：

若唤醒后 20 秒内无任何语音指令，机器人会恢复到默认呼吸状态。此时在执行下一个语音指令前，需要再次说“嗨，威震天”来重新唤醒机器人。

3.1.3 语音编程

唤醒机器人后，对机器人说“开始语音编程”，机器人会回复“My turn now”表示已进入语音编程。

然后按您想要的顺序连续说出多个语音指令词，每说出一个指令词，机器人会回复“Yes”表示识别成功。

完成后说“执行”，即可完成编程，此时机器人会按照语音编程依次执行动作。

注意：

1. 如果中途想取消语音编程，直接说“取消”即可。
2. 30 秒内若无任何语音指令输入，机器人会自动退出语音编程。

3.1.4 简易编程

唤醒机器人后，对机器人说“开始简易编程”，机器人会回复“Here! Have a ton of fun”，全身关节放松，表示已进入简易编程。

此时您可以手掰机器人的关节，摆出自己想要的动作，然后单按电源键，机器人发出提示音表示已保存当前动作，此时您可以掰动关节编辑下一个动作，然后单按电源键确认。

保存完最后一个动作后，再次唤醒机器人，然后说“播放”，机器人会按照您所保存的动作依次播放。

注意：

1. 如果中途想取消简易编程，直接说“取消”即可。
2. 唤醒机器人后，对机器人说“表演一下”可播放您编辑过的简易编程动作，说“下一个”可播放下一套简易编程动作。
3. 编辑的简易编程动作会保存在 App 内，可在 App 内进行播放和删除。

3.1.5 模式介绍

1. 空闲模式

开启机器人后 3 分钟内无任何操作（包括唤醒、按键或 App 操作），机器人将进入空闲模式。

在此模式下，机器人将依次执行 3 个空闲动作；动作间隔：3 分钟。

要退出该模式，请说“嗨，威震天”来唤醒机器人。

2. 静音模式

唤醒机器人后，对机器人说“静音”，机器人会进入静音模式。

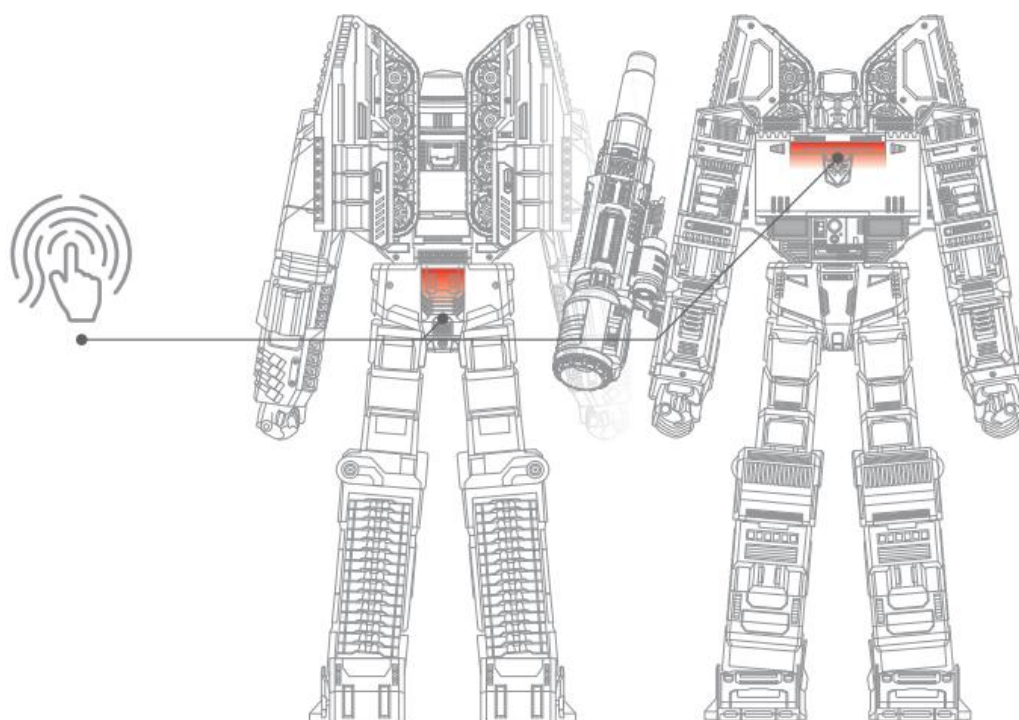
在此模式下，扬声器关闭，机器人能被语音唤醒，并会无声执行所有语音指令。

要退出该模式，请说“增大音量”或“声音最大”，或者通过 App 操作（前往 设置 → 机器人 → 音量）打开扬声器。

3. 触摸交互模式

开机后，如图触摸机器人红色部位可触发机器人语音和动作进行互动。

注意：该模式默认开启，可在 App 内设置关闭。



3.2 App 使用

3.2.1 下载

扫描下方二维码或在应用商店中搜索“乐森威震天 G1”来下载 App。



* 需要 iOS 13 或 Android 10 以上版本。

* 语音控制和 App 功能不可同时使用。

3.2.2 连接

1. 开启机器人
2. 开启移动设备的蓝牙设置
3. 打开 App, 按 App 提示连接机器人

断开连接：

在 App 内断开（前往 设置 → 机器人），机器人会说“Tell me what you know”。

3.2.3 探索

连接后，点击 App 中的“动作控制”、“自由编程”和“迷你剧场”模块并按照里面的提示操作来探索机器人的更多功能。

3.2.4 反馈

如果您在使用机器人或其 App 时遇到任何问题，可前往应用设置提交您的反馈。

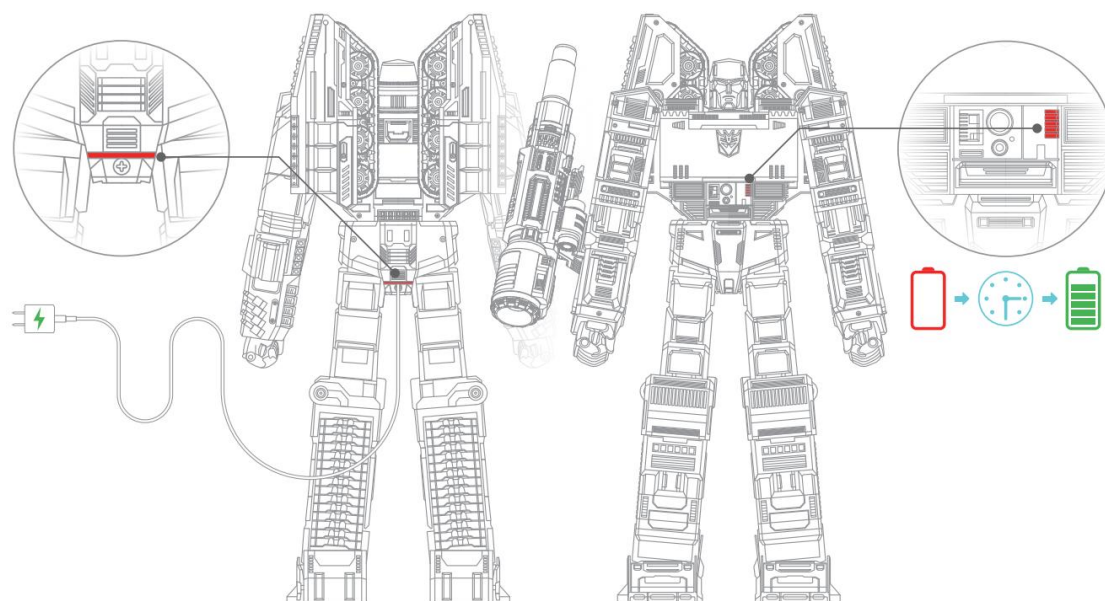
3.3 充电

3.3.1 低电量提醒

当机器人低电量时，会说“We're...we're losing our power”。当机器人说“My Energon cubes are gone”后，它会自动关机，请尽快充电。

3.3.2 如何充电

用附带的电源适配器和充电线给机器人充电。

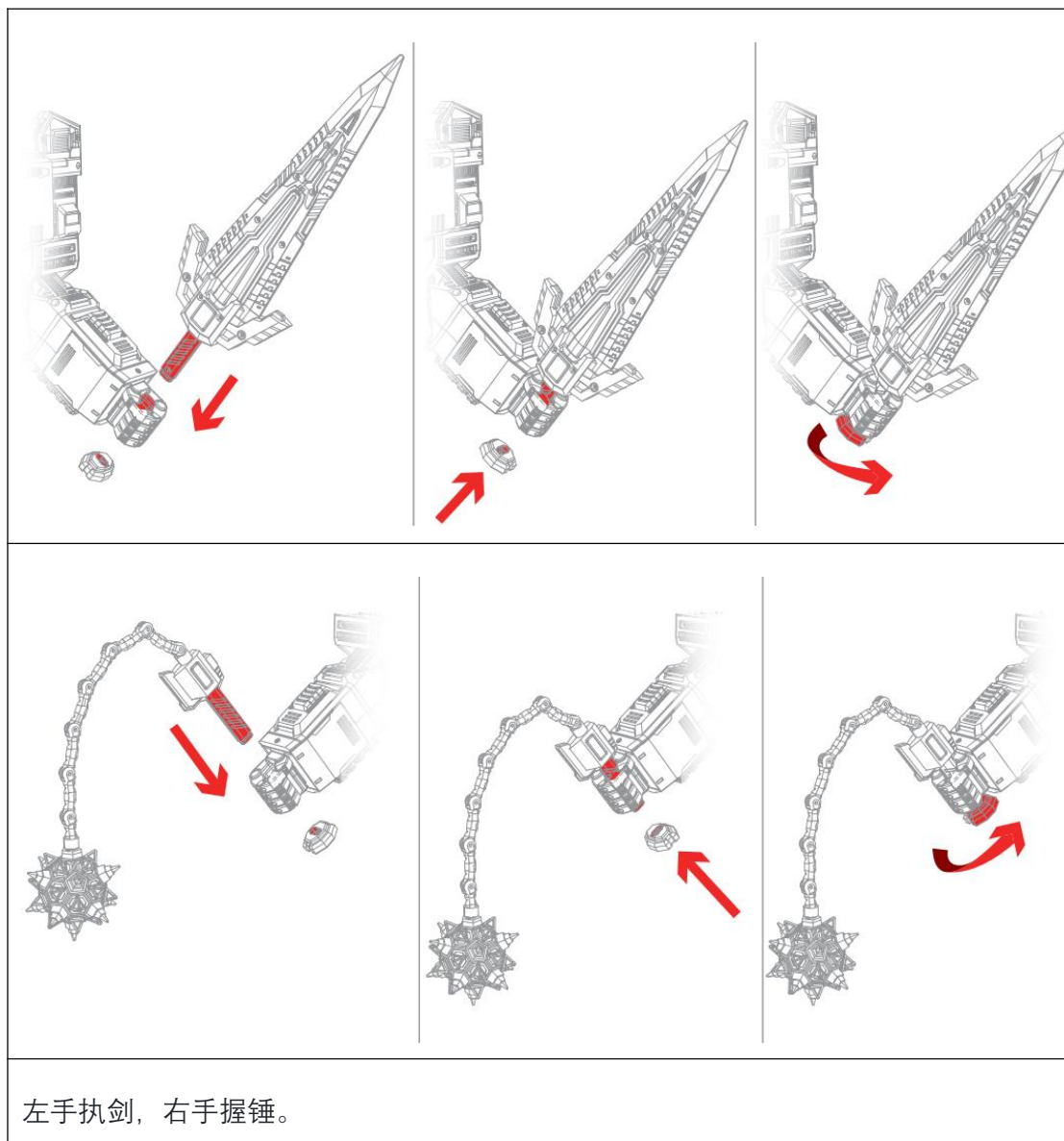


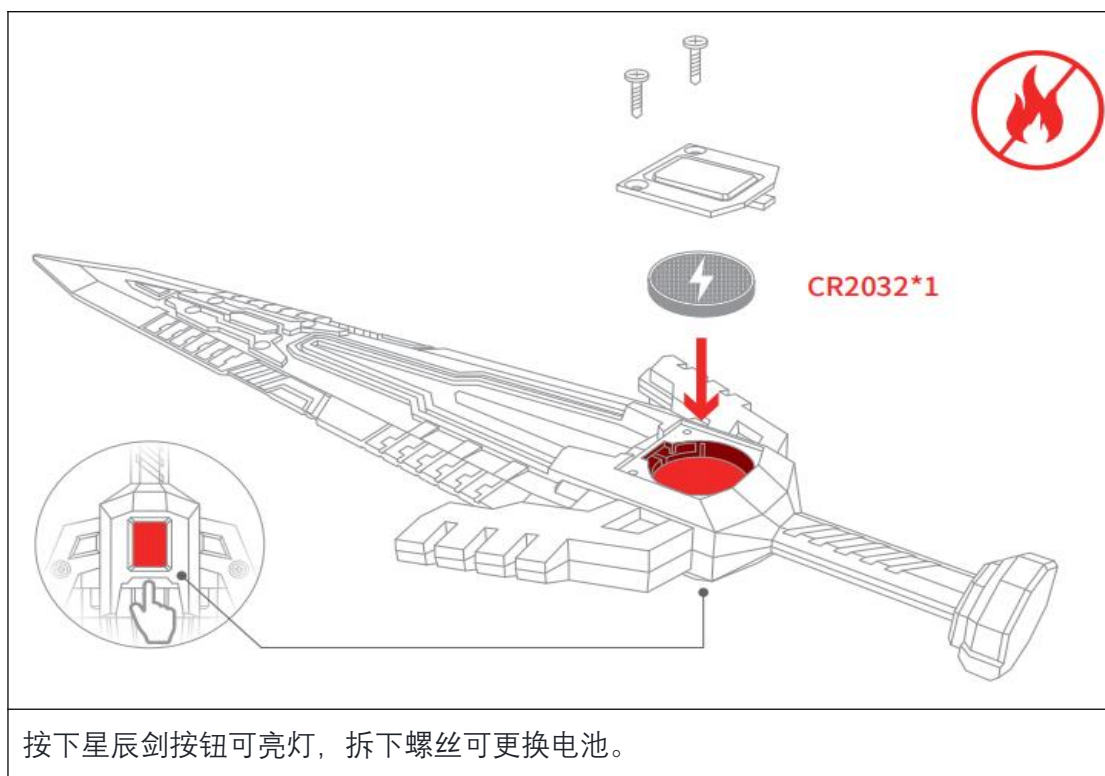
注意：

1. 充电时请勿开启使用机器人。
2. 充电时间不要超过 3 小时。
3. 充电完成后，及时拔掉充电线和电源适配器。

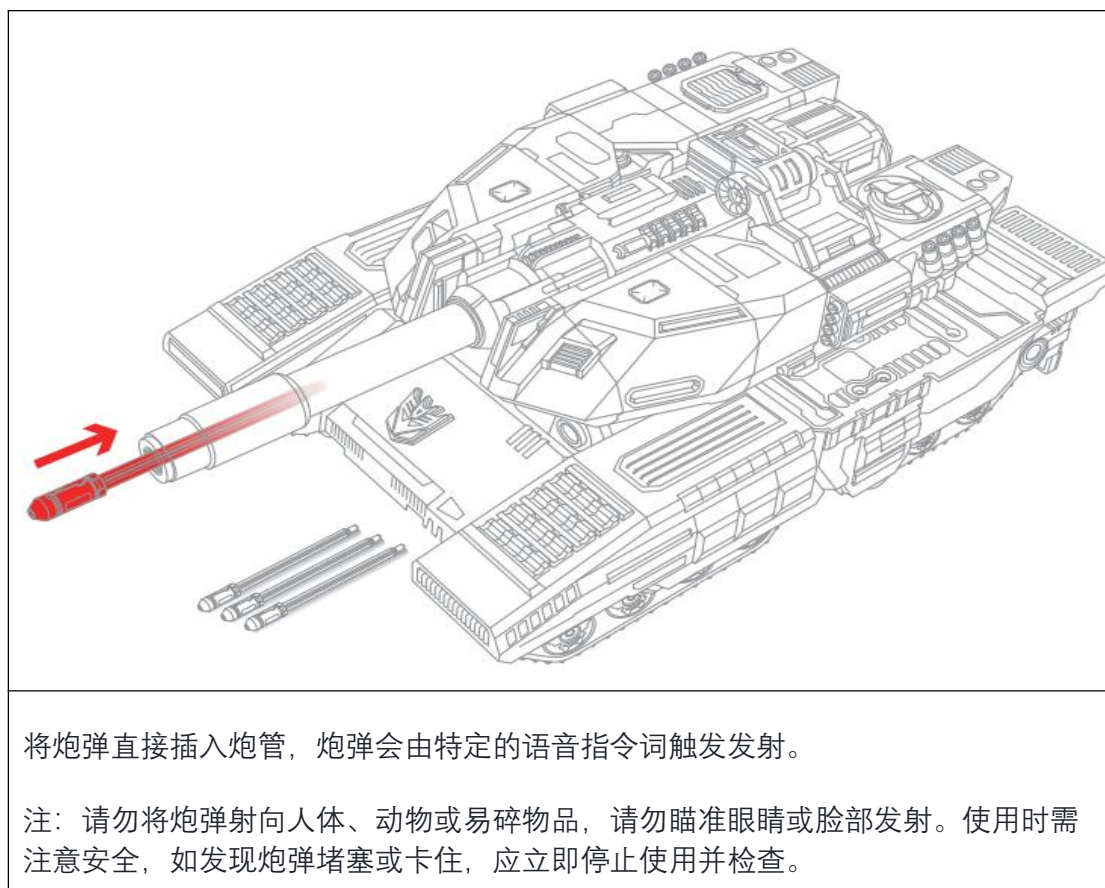
4. 配件使用

4.1 星辰剑 & 流星锤





4.2 炮弹



5. 疑难解答

Q: 机器人无法正常运行?

1. 重启机器人。
2. 检查机器人是否电量不足。如果是，给机器人充电。

Q: 机器人无法连接 App?

1. 确保机器人已经开启。
2. 确保移动设备已开启蓝牙连接设置，并将移动设备放在机器人附近。
3. 确保机器人没有连接其他移动设备。
4. 确保 App 是最新版本。

Q: 无法语音唤醒机器人?

1. 确保机器人已经开启。
2. 确保机器人与 App 断开连接。语音控制和 App 控制不能同时使用。
3. 在安静的环境中使用机器人，用正确的语音指令词唤醒机器人。

Q: 机器人没声音?

检查机器人是否处于静音模式。如果是，通过语音控制“增大音量”或“声音最大”或通过 App 操作退出该模式。

Q: 无法给机器人充电?

1. 请确保使用原装电源适配器和充电线，确保它们已正确连接，并且可以正常使用。
2. 充电时确保机器人已关机。

Q: 机器人做某些动作时无法保持平稳?

确保将机器人放置在光滑、平整的表面上再使用。

Q: 机器人播报关节卡住或连接线脱落?

重启机器人。

注意：如果按上述办法仍不能解决问题，或遇到其他问题，请联系售后服务。

6. 规格参数

产品名称	乐森威震天机器人 G1 旗舰版	
型号	WZTG1	
机器人	尺寸 (长 x 宽 x 高)	439 x 230 x 153 mm (坦克形) 168 x 354 x 524 mm (人形)
	净重	3.8 kg
	材质	ABS、PC、PA66+30%GF、 铝合金等
	伺服舵机	36 个
	芯片	118 颗
	控制方式	语音控制 & App 控制
	电池	11.1V, 2700mAh 锂电池
	环境使用 & 储存温度	0~35°C
	充电接口	Type-C
	充电时间	约 1.5 小时
	续航时间	约 1.5 小时 (因操作模式而异)
电源适配器	输入	100-240V ~ 50/60Hz 0.8A
	输出	5V $\overline{=}$ 3A / 9V $\overline{=}$ 3A / 12V $\overline{=}$ 2.5A / 15V $\overline{=}$ 2A / 20V $\overline{=}$ 1.5A
	功率	最高 30W
无线连接	蓝牙	支持, BLE 5.0, 2400~2483.5MHz, 20dBm